



15B Series

Gas-Fired Hot Water Boiler



The Pennco 15B Series Boiler is an Affordable Gas-Fired Home Heating Solution with Built-In LWCO Protection

Quality Heat Exchanger Design –

The 15B Series features a dependable cast iron heat exchanger with cast iron push nipples. The sections and push nipples expand at the same rate when heated. By using similar materials instead of less expensive gaskets or steel push nipples, the boiler maintains a water tight seal.

Efficiency –

The 15B Series provides an annual fuel utilization efficiency of up to 82% as certified by the US Department of Energy.

Easy Installation and Maintenance –

The 15B Series features an integral Draft Hood and Vent Damper. Its low profile, compact design makes it ideal for low clearance installations.

Operating Controls–

- Honeywell control, with digital display and diagnostics, monitors water temperature and delays burner from starting until the residual heat energy within the boiler is consumed.
- Features a built-in low water cut-off (LWCO) to protect the boiler from potentially dangerous low water conditions.

Residential Warranty–

20 Year Limited Heat Exchanger Warranty,
1 Year Limited Component Parts

Pennco SILVER makes Simple Comfort, Affordable.

15B Series

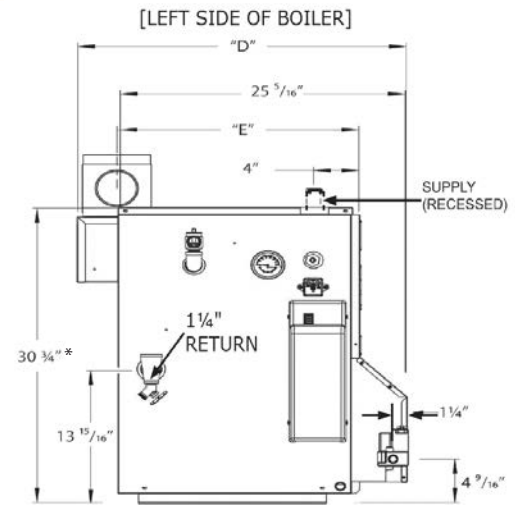
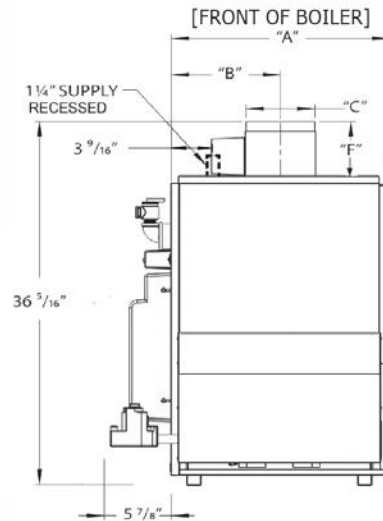
Gas-Fired Hot Water Boiler

Standard Equipment:

- Boiler Jacket
- Cast-Iron Boiler Battery
- High Limit Control
- Intermittent Electronic Ignition Pilot System
- Vent Damper Relay
- Circulator
- Main Gas Burners
- A.S.M.E. Relief Valve
- Drain Valve
- Spill Switch
- Rollout Switch
- Automatic Vent Damper
- Wiring Harness
- Non-Linting Safety Pilot
- Combination Gas Control Includes:
 - Automatic Gas Valve
 - Gas Pressure Regulator
 - Intermittent Pilot
 - Safety Shut Off
 - Pilot Flow Adjustment
 - Pilot Filter

Optional:

- Propane Option Available
- Central Heating Pump (Taco or Grundfos)



*Minimum height for Low Water Cut Off installation.

Specifications:

Model	Input Mbh (1)	Heating Capacity Mbh (1)	Net AHRI Rating Water Mbh (2)**	Natural Gas Inlet	Dimensions (Inches)						Pump Size Supply & Return Tappings	Number of Burners	AFUE Elec. Ign. & Damper
					A	B	C	D	E	F			
15B045FE	45	37	32	1/2"	11 1/4	5 5/8	4	27 1/8	20 7/16	4 15/16	1 1/4"	1	82.0%
15B070FE	70	57	50	1/2"	15 1/8	7	5	28 1/8	20 15/16	4 15/16	1 1/4"	2	82.0%
15B096FE	96	79	69	1/2"	15 1/8	7	5	28 1/8	20 15/16	4 15/16	1 1/4"	2	82.0%
15B120FE	120	98	85	1/2"	19	9 1/2	6	29 1/8	21 7/16	5 7/16	1 1/4"	3	82.0%
15B145FE	145	119	103	1/2"	19	9 1/2	6	29 1/8	21 7/16	5 7/16	1 1/4"	3	82.0%
15B170FE	170	140	122	1/2"	22 7/8	11 3/16	7	30 1/8	21 15/16	5 15/16	1 1/4"	4	82.0%
15B195FE	195	160	139	1/2"	22 7/8	11 3/16	7	30 1/8	21 15/16	5 15/16	1 1/4"	4	82.0%
15B245FE	245	201	174	3/4"	26 3/4	13 6/16	8	31 1/8	22 7/16	6 15/16	1 1/4"	5	82.0%
15B295FE	295	242	210	3/4"	30 3/8	15 5/16	9	32 1/8	22 15/16	8 15/16	1 1/4"	6	82.0%

- All boilers are design certified for installation on noncombustible floor.
- Recommended chimney height 20 feet. In special cases where conditions permit, chimney height may be reduced to 10 feet. Refer to the latest revision of NFPA part 11.
- Electric service to be 120 Volts, 15 Amps, 60 Hz.
- The MEA number for this boiler is 19-79-E.

- 1) Input rating for sea level to 2,000 ft. (610m) above sea level. United States, over 2000 ft (610m) above sea level. Reduce input rate 4% for every 1,000 ft (304m) above sea level.
- 2) Net AHRI Water Ratings shown based on piping and pickup allowance of 1.15. Consult manufacturer before selecting boiler for installations having unusual piping and pickup requirements, such as intermittent system operation, extensive piping systems, etc. For forced hot water systems where boiler and all piping within area to be heated, boiler may be selected on basis of its heating capacity.
- 3) Tank sized for non-ferrous baseboard or radiant panel systems. Increase size for cast iron baseboard and radiation.



ECR International Inc. 2201 Dwyer Avenue, Utica, NY 13501
Tel. 800 253 7900
www.ecrinternational.com

All specifications subject to change without notice.
©2019 ECR International, Inc.
PN 240009574N Rev. 9/19